

EK 2000 IEM

Adaptive diversity receiver for wireless monitoring Loudspeaker

FEATURES

- 20 fixed frequency banks with up to 32 compatible presets in up to 75 MHz switching bandwidth and 6 user banks
- Sturdy all-metal housing
- Adaptive diversity technology for high reliability
- Receivers can be configured in the transmitter menu and can be synchronized via the infrared interface
- Enhanced AF frequency response (25...18000 Hz)
- IE 4 Earphones included in delivery

This wireless monitoring set's receiver uses adaptive diversity technology. The earphone cable serves as a second antenna, which considerably reduces the number of drop-outs. Combined with IE 4 ear-canal phones for precise sound reproduction, EK 2000 IEM conveys an authentic acoustic pattern of live sound and allows you to monitor your own performance perfectly.



ARCHITECT'S SPECIFICATIONS

Squelch setting possible in 2 dB steps (Off, 5 ... 25 dB μ V) up to 32 compatible presets in up to 75 MHz switching bandwidth. Adaptive diversity (headphone cable = 2. antenna) Receivers can be configured in the transmitter menu and can be synchronized via the infrared interface Limiter: -18 to -6 dB, adjustable in steps of 3 dB, can be switched off. Enhanced AF frequency response (25...18000 Hz) Full compatibility to all Sennheiser 2000 series and G3 stereo transmitters. Reduced compatibility to ew G2 and G1 stereo transmitters. Sennheiser HDX Compaander system pilot-tone squelch switchable. Auto-lock feature to prevent settings from being changed accidentally.

TECHNICAL DATA

RF frequency range	516 – 865 MHz
Carrier frequencies	max. 3000
Presets	max. 64
Switching bandwidth.....	max. 75 MHz, tuneable in 25 kHz steps
Nominal / Peak deviation.....	± 24 kHz / ± 48 kHz
Squelch	Off, 5 ... 25 dB μ V: Can be set in 2 dB steps
Sensitivity (with HDX, peak deviation)	< 1.6 μ V for 52 dBArms S/N
Intermodulation attenuation	typ. ≥ 78 dB
Adjacent channel rejection	typ. ≥ 80 dB
Blocking	≥ 80 dB
Compaander.....	HDX
Frequency response	25 – 18000 Hz
Signal-to-noise ratio (1 mVRF, peak deviation)	approx. 90 dBArms
THD	< 0,9 %
Headphone connector.....	3,5 mm Jack
Headphone output power (2.4 V, 5% THD and nominal deviation)	2 x 100 mW at 32 Ω
high Boost	+8 dB at 80 kHz
Limiter.....	-18 to -6 dB, adjustable in steps of 3 dB, can be switched off
Operating temperature	-10 $^{\circ}$ C ... +55 $^{\circ}$ C
Power supply	2 AA size batteries, 1.5 V or BA 2015 rechargeable pack

Continued on page 2

EK 2000 IEM

Adaptive diversity receiver for wireless monitoring Loudspeaker



TECHNICAL DATA

Nominal voltage 2.4 V

Power consumption:

- at nominal voltage typ. 140 mA
- with switched-off receiver $\leq 25 \mu\text{A}$

Operating time

(line operation) typ. 4 - 6 hrs
(depending on volume level)

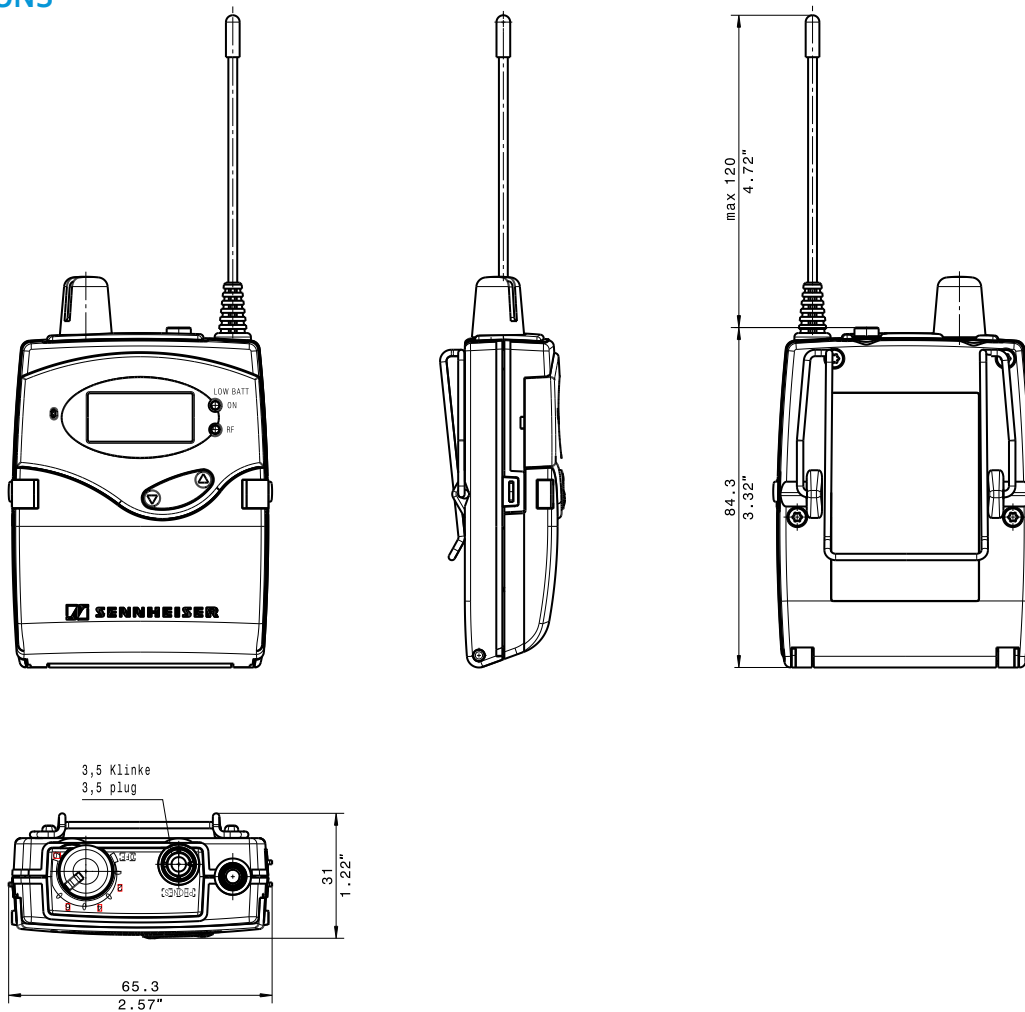
Dimensions approx. 82 x 64 x 24 mm

Weight (incl. batteries) approx. 140 g

Delivery includes: 1 EK 2000 IEM diversity receiver
1 IE 4 earphones
1 instruction manual
1 supplementary frequency sheet

EK 2000 IEM Adaptive diversity receiver for wireless monitoring

DIMENSIONS



PRODUCT VARIANTS

EK 2000 IEM-AW 516 ... 558 MHz	Cat. No. 503153
EK 2000 IEM-AW-X 516 ... 558 MHz / Europe	Cat. No. 503861
EK 2000 IEM-GW 558 ... 626 MHz	Cat. No. 503862
EK 2000 IEM-GW-X 558 ... 626 MHz / Europe	Cat. No. 503863
EK 2000 IEM-BW 626 ... 698 MHz	Cat. No. 503864
EK 2000 IEM-BW-X 626 ... 698 MHz / Europe	Cat. No. 503865
EK 2000 IEM-CW 718 ... 790 MHz	Cat. No. 503866
EK 2000 IEM-CW-X 718 ... 790 MHz / Europe	Cat. No. 503867
EK 2000 IEM-DW 790 ... 865 MHz	Cat. No. 503868
EK 2000 IEM-DW-X 790 ... 865 MHz / Europe	Cat. No. 503869

RECOMMENDED ACCESSORIES

BA 2015 rechargeable pack	Cat. No. 009950
L 2015 charger	Cat. No. 009828
IE 4 earphones	Cat. No. 500432

Sennheiser electronic GmbH & Co. KG
 Am Labor 1, 30900 Wedemark, Germany
www.sennheiser.com

 **SENNHEISER**